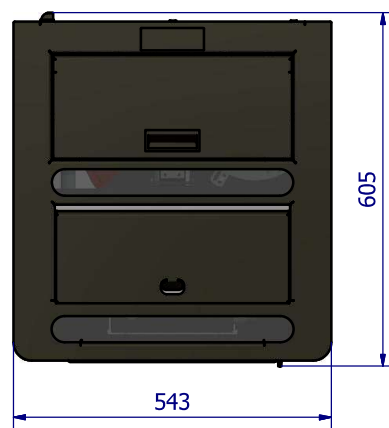
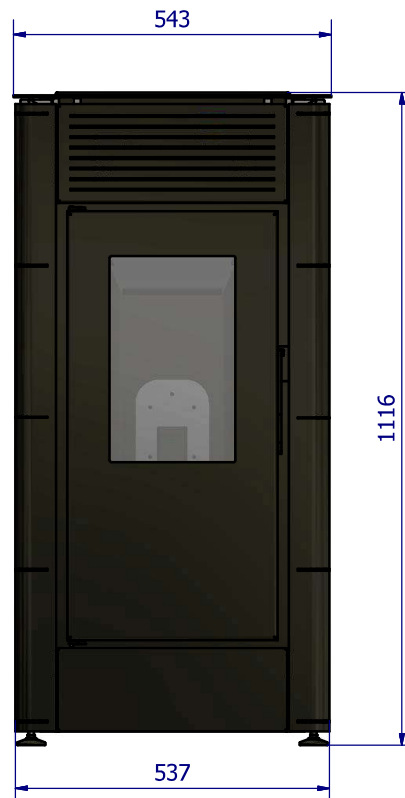
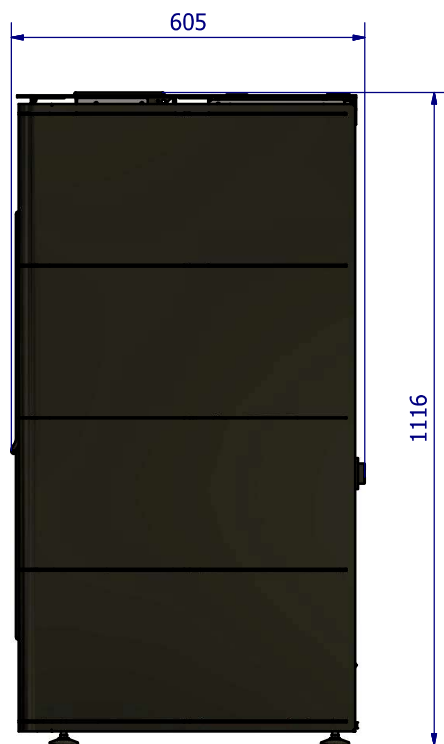


CHIMENEAS Y BARBACOAS FERLUX, S.A.
 POLIG. INDUST. EL POLEAR, PARC. 1
 29313 VILLANUEVA DEL TRABUCO MALAGA (ESPAÑA)
 TEL. +34 952 03 11 17 FAX +34 952 03 11 18



Imperial red



White pearl



Marrom vintage



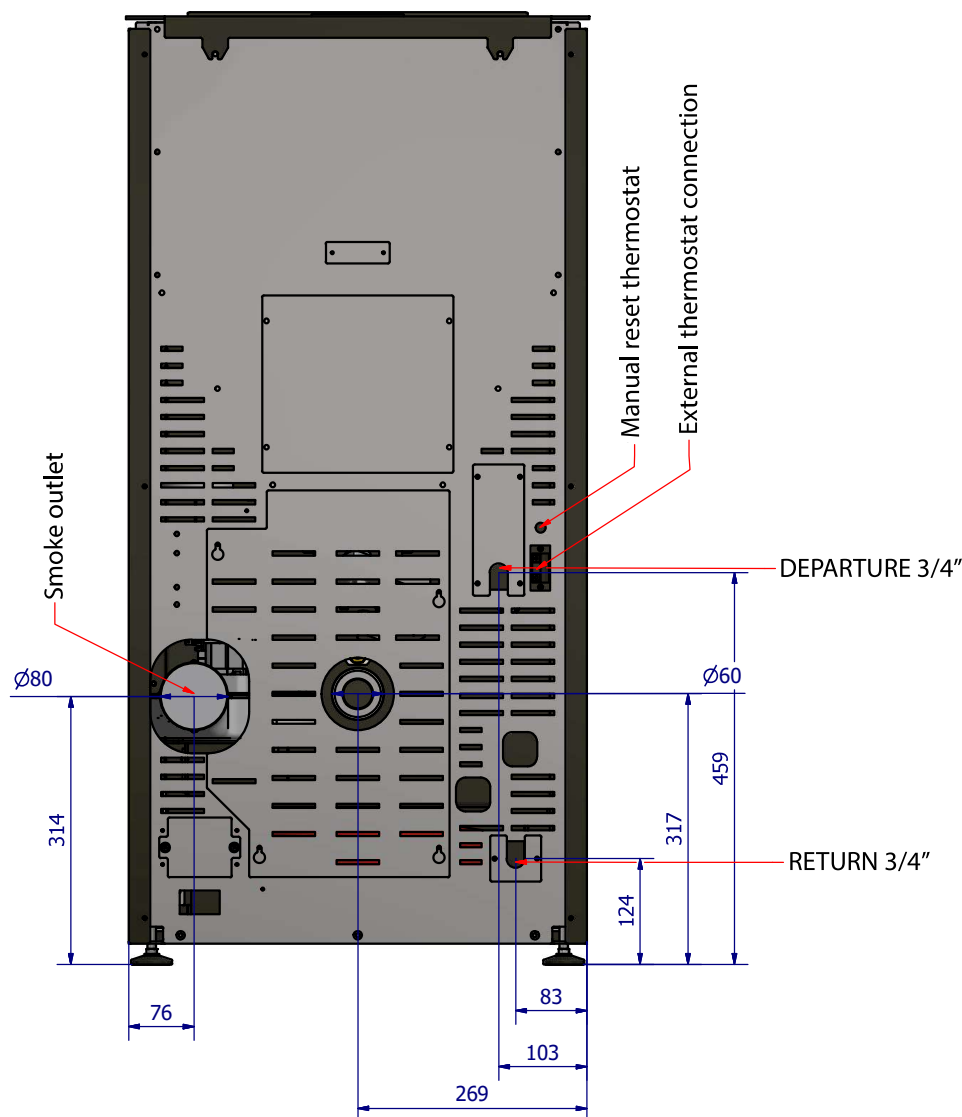
Black





The heater is equipped with a set of hydraulic elements, including: 8 litre expansion vessel, high efficiency electronic circulation pump, 3 bar pressure safety valve, pressure transducer and automatic purge. All this to ensure the user the highest efficiency, security and simplicity of installation.

CHIMENEAS Y BARBACOAS FERLUX, S.A.
 POLIG. INDUST. EL POLEAR, PARC. 1
 29313 VILLANUEVA DEL TRABUCO MALAGA (ESPAÑA)
 TEL. +34 952 03 11 17 FAX +34 952 03 11 18



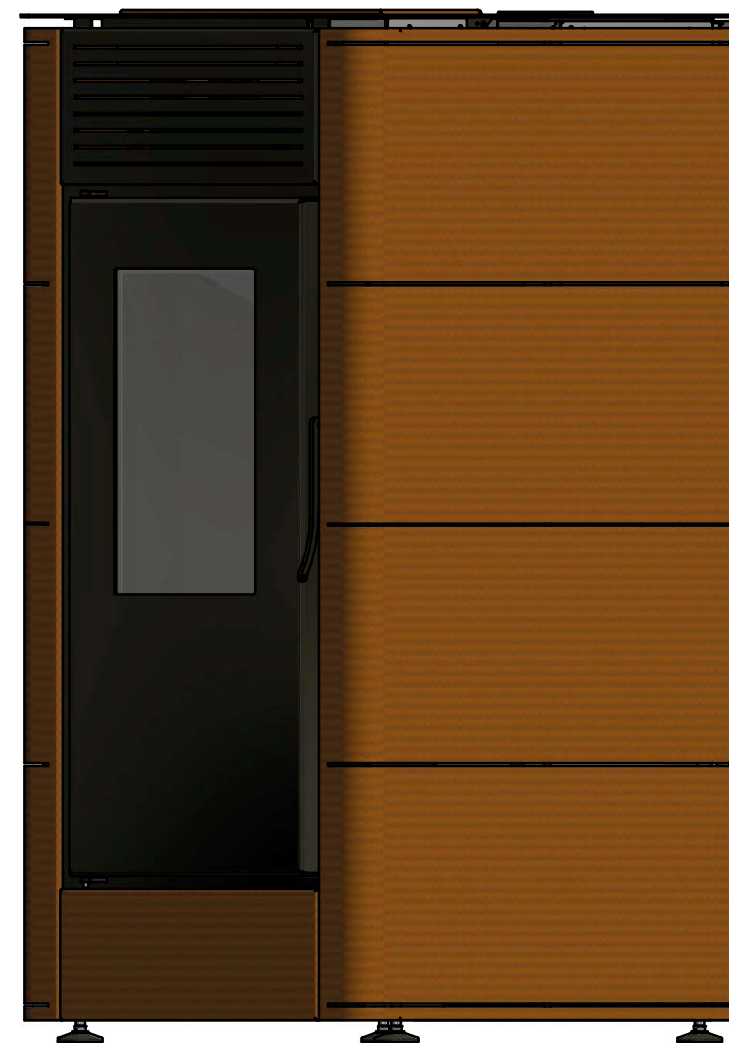
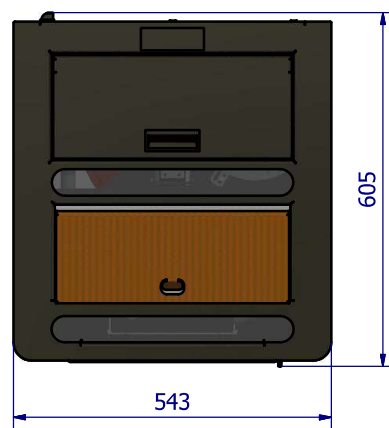
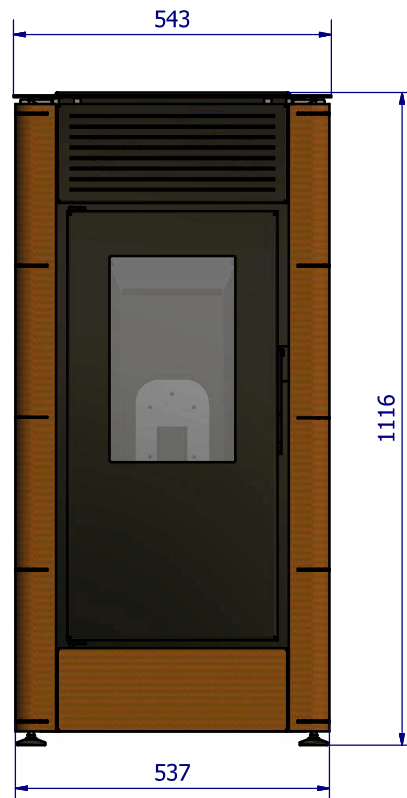
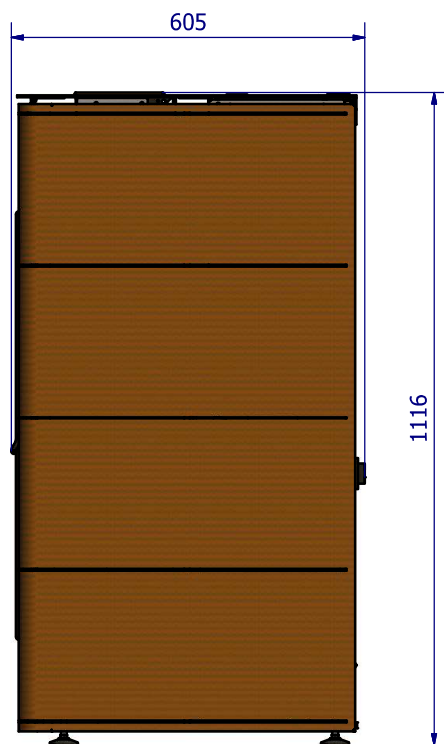
Technical data

RATED THERMAL POWER	14,9 KW
THERMAL POWER TO WATER	12 KW
REDUCED THERMAL POWER	6,8 KW
PERFORMANCE P.T.RATED*	90%
PERFORMANCE P.T.REDUCED,**	93%
CONSUMPTION (MIN-MAX)	1,3 KG - 3,1 KG
AUTONOMY (MIN-MAX)	27 - 11 HORAS
EMISSIONS CO TO 13% DE O ₂ (P.T.N. - P.T.R.)	0,04% - 0,03%
TEMPERATURA OF SMOKES (P.T.R. - P.T.R.)	160 °C - 91 °C
HEATABLE VOLUME	250 M ³
DIAMETER OF SMOKE OUTLET	80 MM
DIAMETER OF PRIMARY AIR INLET	60 MM
WEIGHT	170 KG
TANK CAPACITY	35 KG

Electrical requirements

POWER SUPPLY	220 - 230 V
FREQUENCY	50 - 60 Hz
ELECTRICAL POWER TURNED ON	300 W
AVERAGE POWER ABSORBED	60 W

CHIMENEAS Y BARBACOAS FERLUX, S.A.
 POLIG. INDUST. EL POLEAR, PARC. 1
 29313 VILLANUEVA DEL TRABUCO MALAGA (ESPAÑA)
 TEL. +34 952 03 11 17 FAX +34 952 03 11 18



Imperial red



White pearl



Marrom vintage



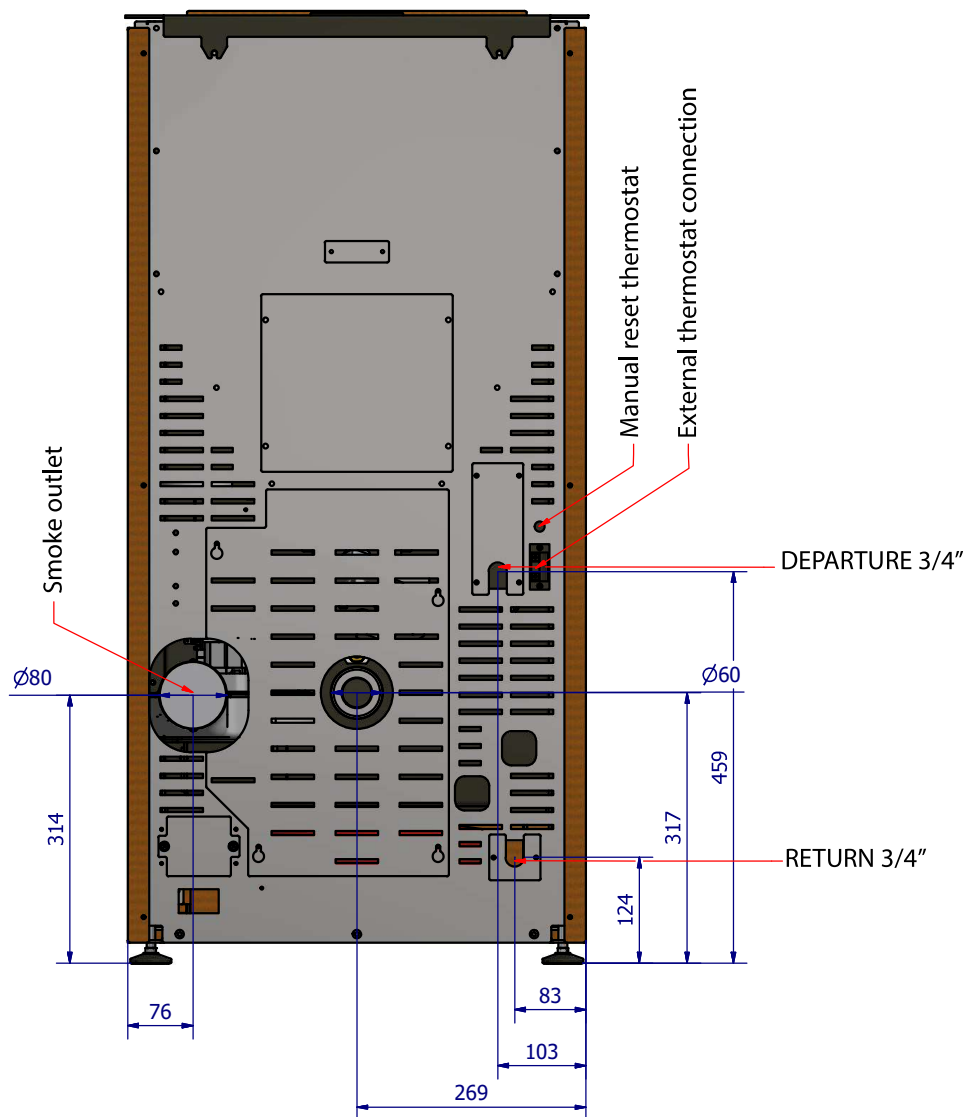
Black





The heater is equipped with a set of hydraulic elements, including: 8 litre expansion vessel, high efficiency electronic circulation pump, 3 bar pressure safety valve, pressure transducer and automatic purge. All this to ensure the user the highest efficiency, security and simplicity of installation.

CHIMENEAS Y BARBACOAS FERLUX, S.A.
 POLIG. INDUST. EL POLEAR, PARC. 1
 29313 VILLANUEVA DEL TRABUCCO MALAGA (ESPAÑA)
 TEL. +34 952 03 11 17 FAX +34 952 03 11 18



Technical data

RATED THERMAL POWER	17,7 KW
THERMAL POWER TO WATER	15,6 KW
REDUCED THERMAL POWER	6,8 KW
PERFORMANCE P.T.RATED*	89%
PERFORMANCE P.T.REDUCED,**	93%
CONSUMPTION (MIN-MAX)	1,3 KG - 3,6 KG
AUTONOMY (MIN-MAX)	27 - 10 HORAS
EMISSIONS CO TO 13% DE O ₂ (P.T.N. - P.T.R.)	0,04% - 0,03%
TEMPERATURA OF SMOKES (P.T.R. - P.T.R.)	181 °C - 91 °C
HEATABLE VOLUME	375 M ³
DIAMETER OF SMOKE OUTLET	80 MM
DIAMETER OF PRIMARY AIR INLET	60 MM
WEIGHT	170 KG
TANK CAPACITY	35 KG

Electrical requirements

POWER SUPPLY	220 - 230 V
FREQUENCY	50 - 60 Hz
ELECTRICAL POWER TURNED ON	300 W
AVERAGE POWER ABSORBED	60 W